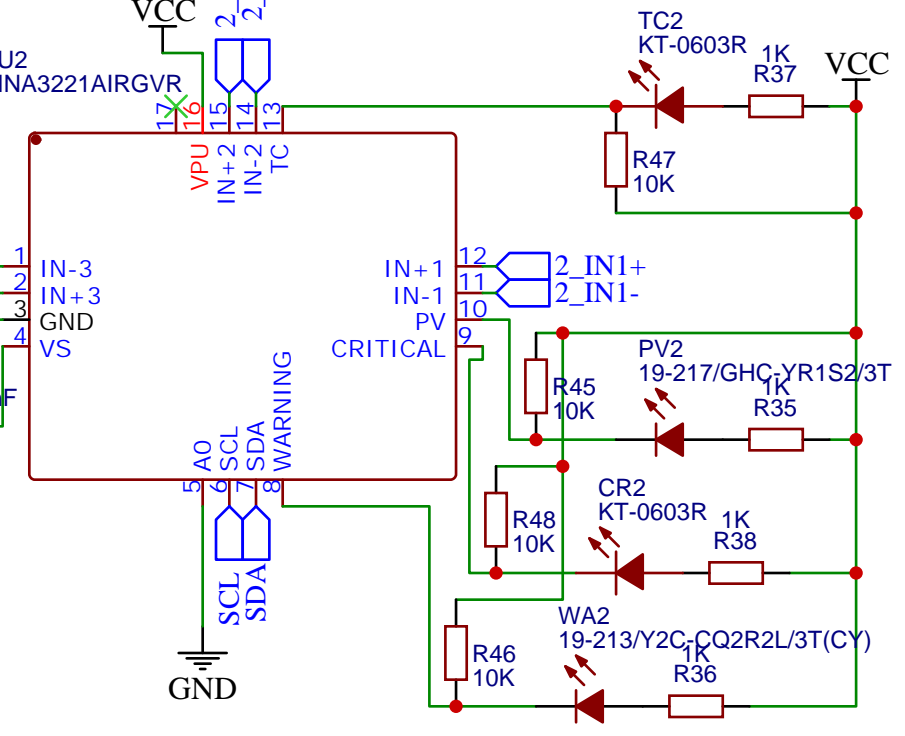
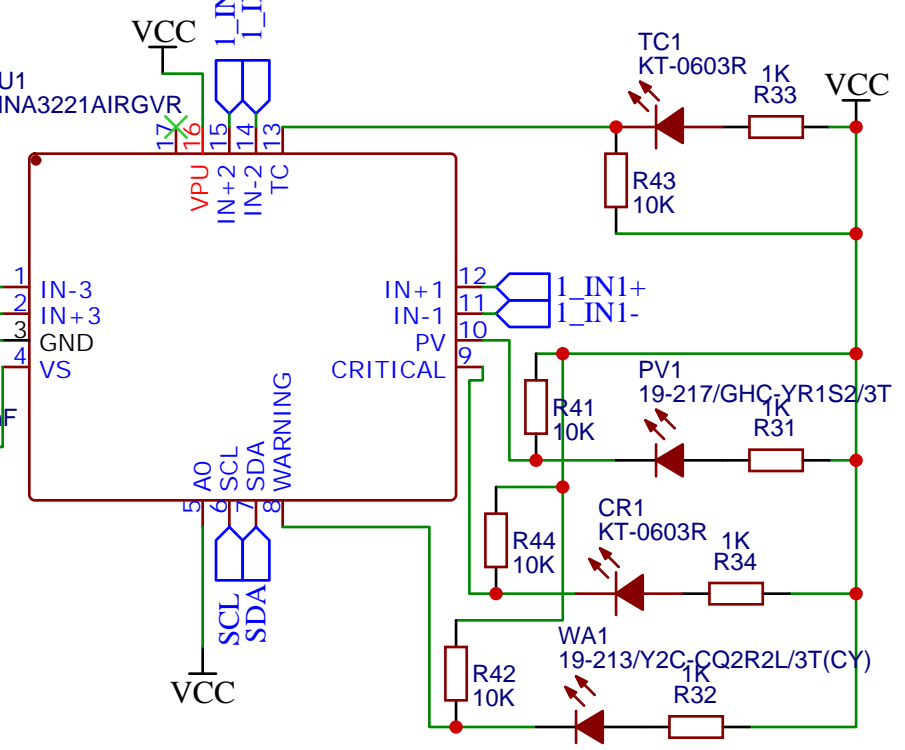
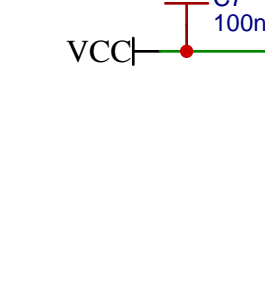
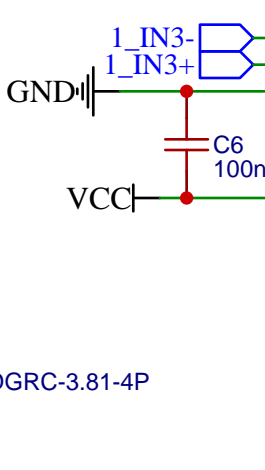
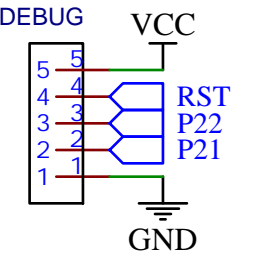
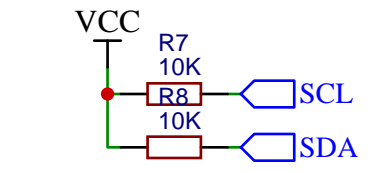
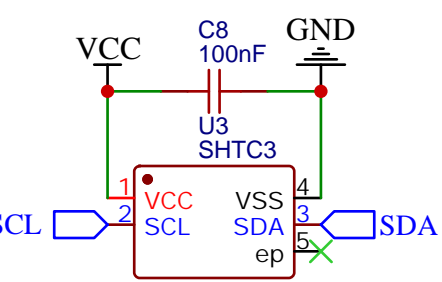
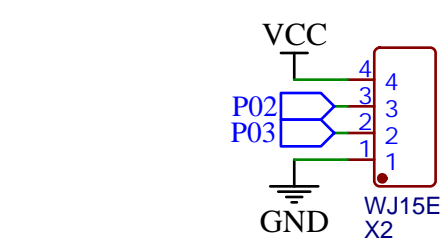
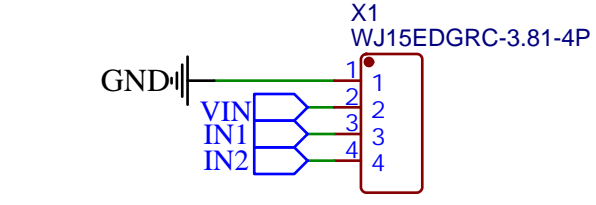
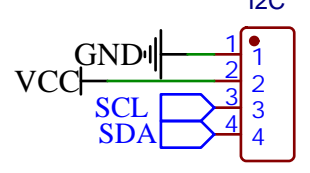
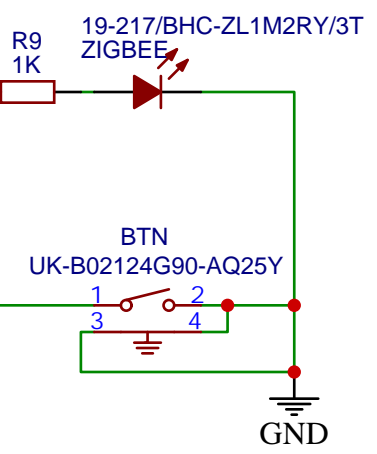
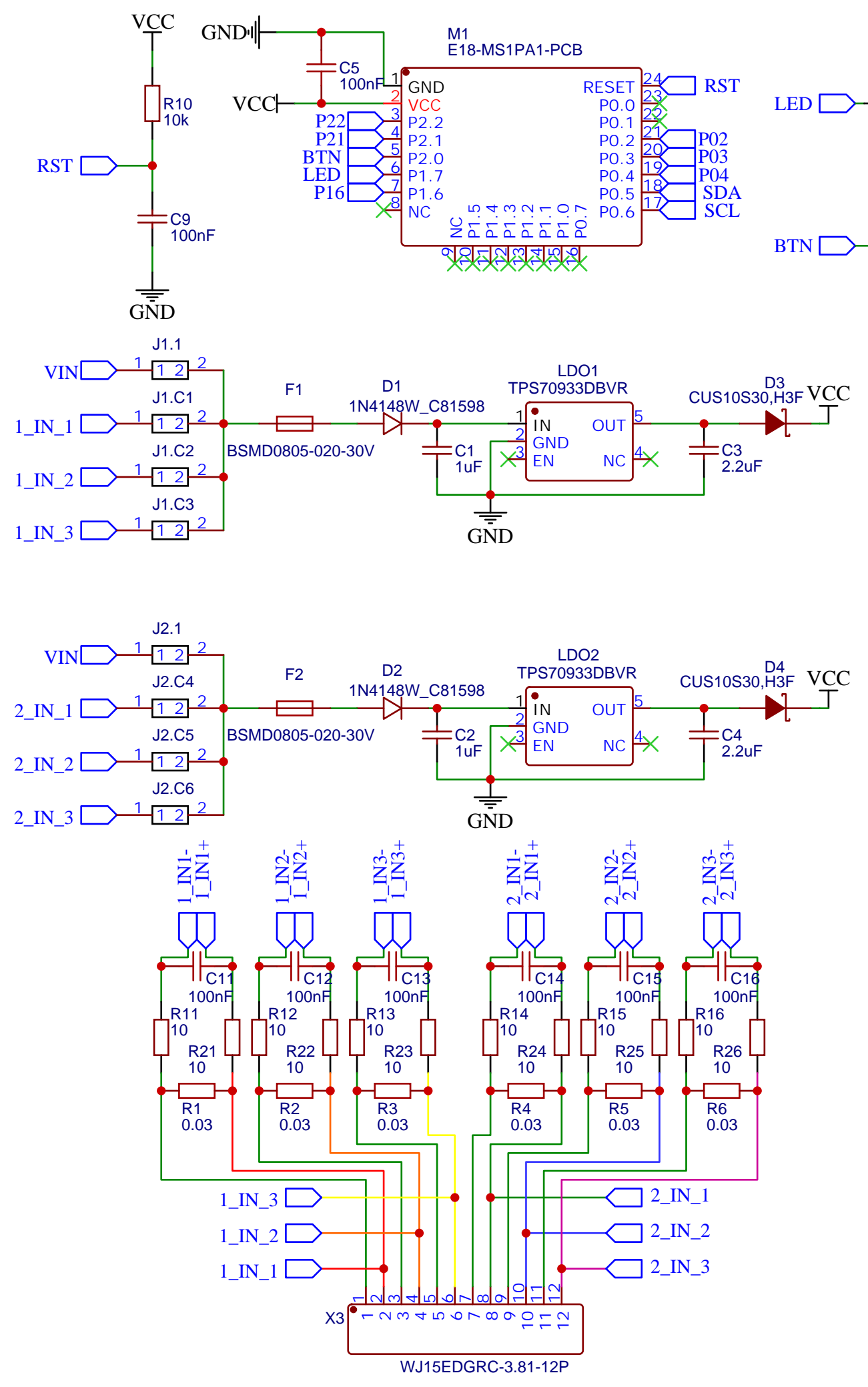


0.03 Ohm shunt calculation

Ohm	Amps	Res, mA	Drop, V		mV	V
					-163.84	163.84
						0.16384
0.01	16	4	0.01			
0.1	1.6	0.4	0.1			
0.03	5.3333333	1.3333333	0.03			



E18-MS1-PA2, 2xINA3221, SHTC3
 0 - 26V, 8mV resolution
 +/- 5.2A, 1.3mA resolution

Fuses
 BSMD0805-005-33V for 20-26V power
 BSMD0805-020-15V for 5-12V power
 BSMD0805-020-30V for UNI power